

# ELECTRIC VIBRATORY HAMMER

电动桩锤系列



已通过ISO9001国际质量管理体系认证  
CERTIFIED BY ISO9001 INTERNATIONAL QUALITY MANAGEMENT SYSTEM



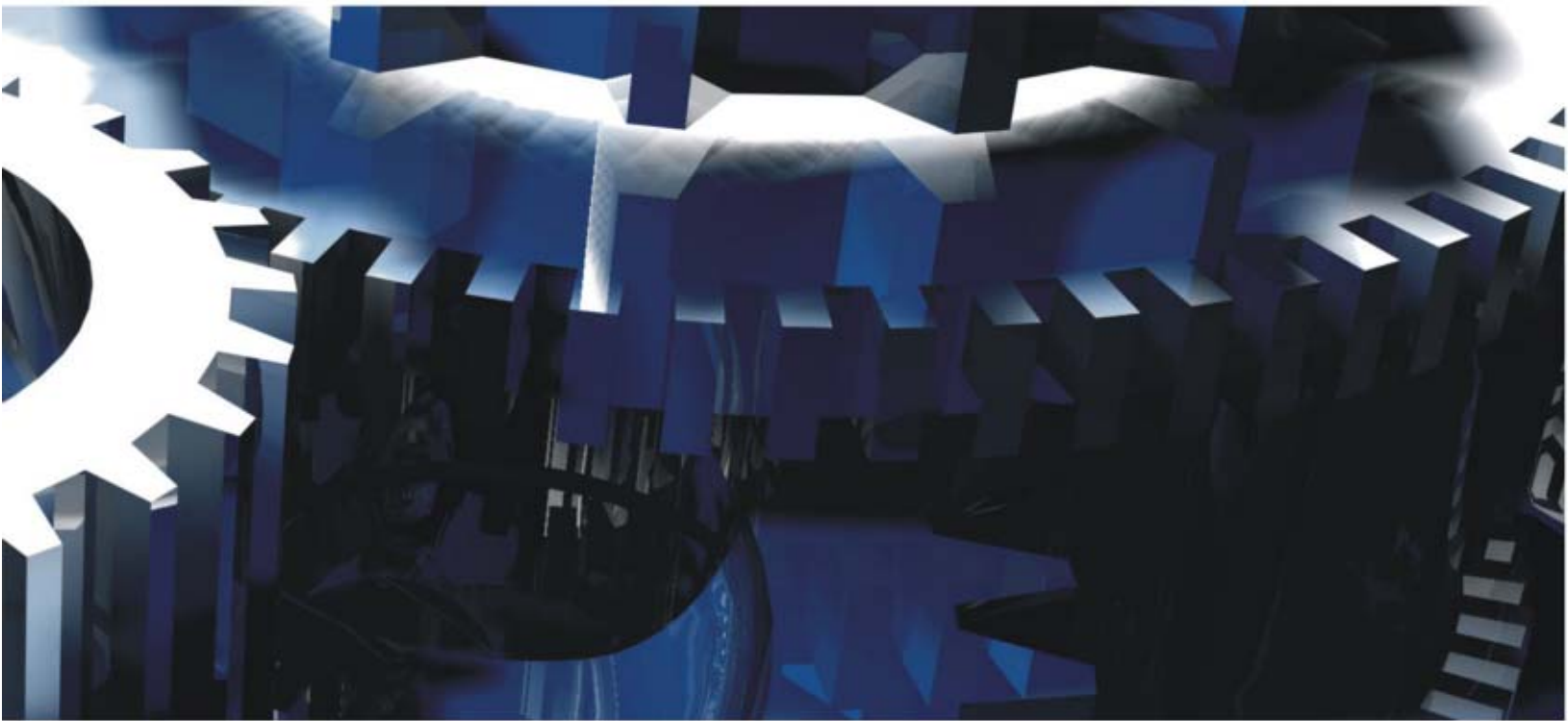
# COMPANY PROFILE

## >> 关于永安机械

瑞安市永安机械有限公司，是集振动打桩锤系列产品的设计研发、生产制造、销售及租赁服务于一体的专业化公司。公司创建于1986年，主导产品“永安”牌振动桩锤系列产品，二十多年来在广大客户的关心和支持下，公司业绩连年攀升，在全球业内知名度和影响力也大幅提升，目前已发展成为国内振动桩锤骨干龙头企业。

我公司不断致力于产品的技术创新及新产品的研发，目前公司不仅拥有传统的DZ、DZJ系列振动桩锤，同时通过自主创新研发出了减震胶变矩系列及液压振动锤等各种类型的振动桩锤以满足不同条件下施工的需要。强大的技术实力使我们在产品研发上不断推陈出新，我司生产的联动锤DZJ-400、DZJ-480、DZJ-600在实际应用中刷新了国内电振动锤的记录。“永安”牌振动打桩锤各系列产品的足迹已遍布全国各地，二十多年以来，公司始终秉持以“为客户创造价值”为终极目标，以市场为导向，以满足、服务客户为宗旨。自产品进入市场以来，我公司的产品在国内300多座大型桥梁（如杭州湾跨海大桥、厦门集美跨海大桥、青岛海湾大桥、南京大胜关长江大桥、钱江九桥、厦漳跨海大桥、内蒙古包头黄河大桥、宁波金塘跨海大桥等）的基建工程中被广泛应用。并远销日本、韩国、台湾、埃及、马来西亚、厄瓜多尔、俄罗斯、菲律宾、利比里亚、印尼、赤道几内亚、加纳、越南等多个国家和地区。公司以领先的技术及优良的性能在业界获得了一致好评。

公司在广东、黑龙江等地区设有办事处，为更方便快捷地为各地客户提供全方位的服务，公司还将扩大规模，在全国多个城市设立办事处，更限度地满足客户的需求。本公司率先通过ISO9001国际标准质量管理体系认证。2010年，我们与国际液压振动锤巨头荷兰ICE公司建立了合作关系，并已在福建福鼎建立了液压振动锤生产基地。福建新永安机械有限公司厂区占地面积13500余平方米，4000余平方米的研发中心和4500平方米的厂房并购置数控加工中心等高端设备建立现代化流水线，顶尖的技术和成熟的管理模式让我们稳步向前，我们向着世界级的桩工机械类企业看齐，努力把中国制造的旗帜插遍世界。以创新为动力，力攀成熟顶尖的专业技术；以品牌经营为核心，满怀全球眼光的经营韬略，力求为客户创造“安全、可靠、专业、高效”的桩工机械产品，把“永安”打造成一个国际一流的桩工机械品牌。



Yong'an Machinery Co., Ltd, one of the most professional vibratory hammer manufactures in China. It was established in 1986, after 26 years of development, our products take up to 70% of the whole China market. It becomes the leading company in vibratory hammers industry.

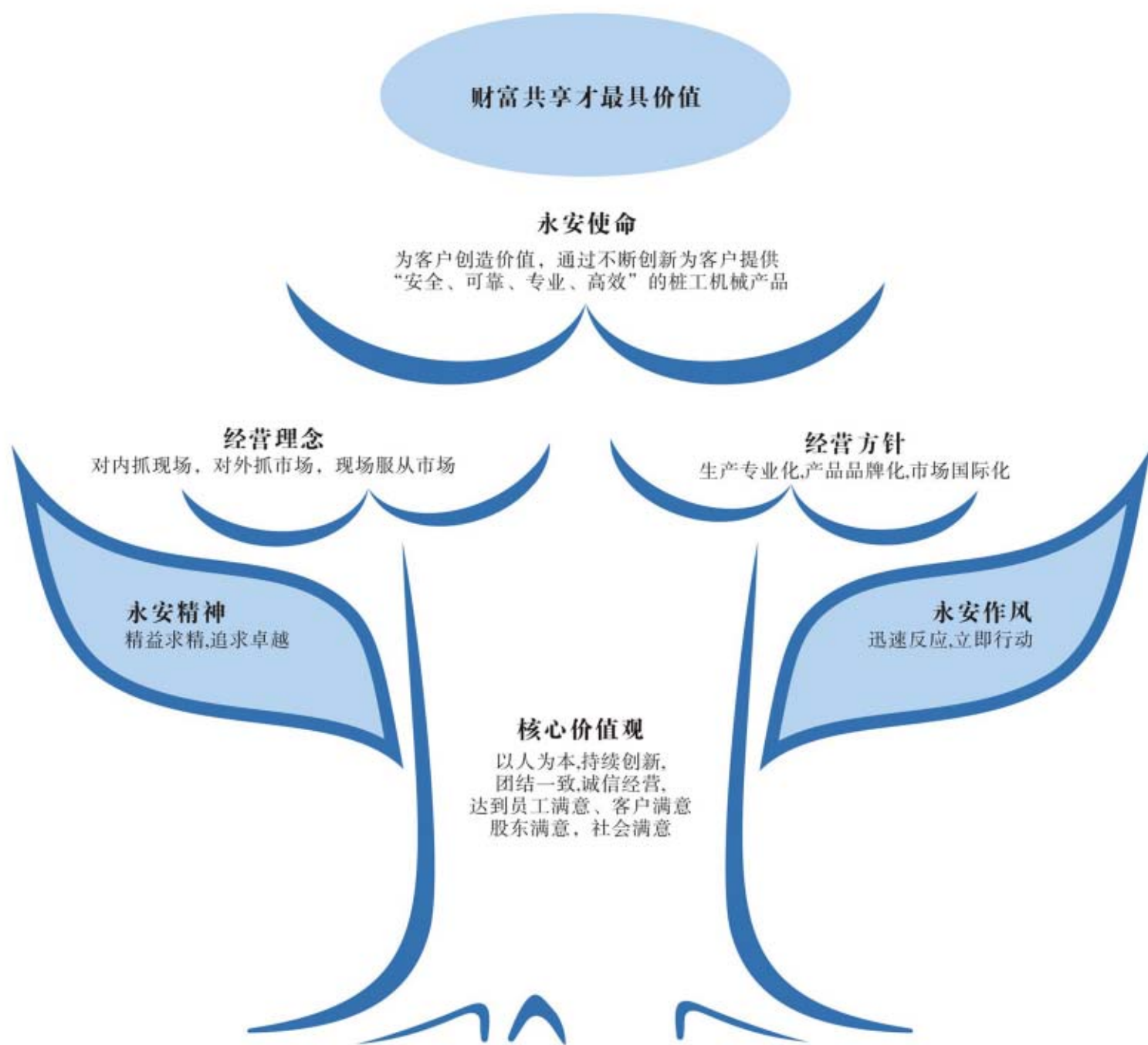
The Company has always devote to the technological innovation and development of new products including DZ and DZJ series vibratory hammers. Our products were applied in more than 300 large bridges (such as Hangzhou Bay Bridge, Jimei Cross-sea Bridge in Xiamen, Qingdao Bay Bridge, Dashengguan Yangtze River Bridge in Nanjing, Qianjiang Ninth Bridge, Xiamen-Zhangzhou Cross-sea Bridge, Yellow River Bridge in Baotou in Inner Mongolia, Jintang Cross-sea Bridge in Ningbo City) and won prizes and praises for the good quality and excellent performance.

With powerful technical support, we successfully put new model DZJ-400, DZJ-480 and DZJ-600 vibratory hammers into the market, creating a new big capacity record in China, in some respects, it is superior to the hydraulic vibratory hammer. In the last 26 years, we strive for providing safety, reliability, professional and efficiency piling equipment for the market.

Yong'an series vibratory hammers are widely used not only in China but also in oversea market such as Japan, Korea, Taiwan, Indonesia, Malaysia, Ecuador, Russia, Libya, Vietnam Ghana and Philippines, etc. In order to meet the market requirement, Fujian New Yong'an Machinery Co., Ltd was established; it covers 13500m<sup>2</sup> with advanced workshops and office building. Market-oriented is our principle, we have set up offices in Guangdong, Shanghai, Heilongjiang, Wuhan ect to offer better and efficient service to our customer.

We are certificated by ISO9001 international standard quality management system. In 2010, we set up cooperation relationship with ICE Netherlands. With the advanced technologies and good management, our goal is to build "Yong'an" as a global first-class brand in piling engineering machines.





人才理念：企业是树，人才是根，根有多深，树有多盛

# Certificate 资质证书 >>



安全是在人类生产过程中，将系统的运行状态对人类的生命，财产，环境可能生产的损害控制在人类能够接受的范围以内。永安将以此为目标，不断的为全世界客户制造出安全的产品。





## Reliable component 可靠环节 >>

### 1 耐震电机/Shock-proof motor

永安机械振动锤系列产品所采用的电动机为耐高加速度的特殊耐振电机，其轴承处允许的最高温度可达95摄氏度，且有着能短时间过载使用和较高的启动转矩的优点，所采用的三角带为高强度型三角带。

Yongan vibratory hammer using the shock-proof motor, the bearing could working upto 95 degree temperature, and could overload in short period of time and high torque, wedge shaped belt is high strength.

### 2 轴承/Bearing

由于振动锤使用的轴承要求必须在小的空间里，要可靠的承受冲击负载和径向加速度，高极限转速，还要承受不同心以及轴的挠曲等附加载荷一系列特殊条件，传统的圆柱滚子轴承通常不能满足这样高的要求，因此我们采用了德国舍弗勒集团提供的FAG品牌的X-LIFE高质量系列的轴承。X-life意味着可以多承受18%的负载能力，由此 将其使用寿命至少提高70%。

The bearing of the vibratory hammer required receive impact load, radial accelerate, high limiting speed in a limited space, and also need to carry non-concentricity, deflection curve etc additional load. The traditional cylindrical roller bearing is not able to meet such requirement. In that case, we are using X-LIFE high quality bearing from FAG. X-LIFE could carry 18% more load and increase 70% of the bearing life.

### 3 产品工艺/Process

整个设备的焊接工艺均符合国家一级焊接标准并采用超声波探伤检测，另外对箱体底部四周采用包角处理，加强筋能有效地减小箱体受力，工作时，把对箱体的损害降低到最小程度，延长了产品使用寿命。

The welding processing is according to national welding standard and inspected by ultrasonic wave flaw detection. The bottom of the gear box is reinforced, which minimize the possibility of gear box damage.

### 4 防音设计/Noise proof design

首先我们在产品的上下弹簧的底座都加垫了橡胶片，由于橡胶不仅能在产品工作时起到缓冲作用，而且还能吸附工作时产生的一部分噪音，其次，我们在产品的下弹簧处加了隔音钢板，这能最有效的降低振动锤工作时的噪音。

We added rubber pad on and under the spring, which can be a buffer during vibration, and sound isolation steel pad under the spring, which reduced the noise during working.

### 5 轴承圈设计/Bearing cup design

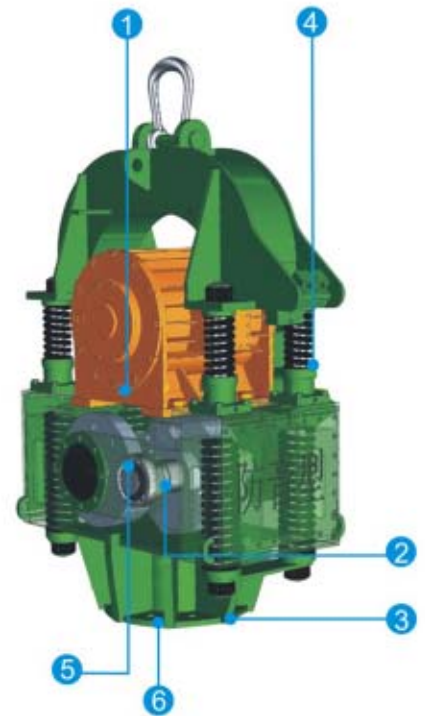
独特的轴承圈设计：传统的轴承圈都是采用镶嵌的方式，时间长了轴承圈容易裂开，轴承圈一旦裂开，整个箱体就完全报废，永安振动锤的轴承圈采用的是最先进的切割工艺，轴承圈不易产生裂痕，设备在使用过程中能更加稳定的工作，也保证了设备的使用寿命。

Our bearing cup is specially designed to fit the high vibration, it is 3 layers combination, very stable and won't crack during working.

### 6 油污沉淀/Oil stain deposit system

产品该项设计能使意外掉入箱体的异物及设备正常磨损产生的污垢沉淀下来不会对齿轮或轴承造成损害。

We developed Oil stain deposit system, which could avoid the damage to the gear and bearing.



振动锤主机

## Scope

### 适用范围 >>

- **混凝土预制桩：**振动锤配上相对应的夹桩器后，可沉拔各类混凝土预制桩及各类钢桩；与桩架配套后，可用于沉混凝土灌注桩、混凝土扩底桩（大蒜头桩）、石灰桩、砂桩、碎石桩。

Pre-made concrete pile: with custom designed concrete clamp, vibratory hammer can be used for various types of pre-made concrete piles, cast-in-place concrete pile, concrete expanded bore pile, lime pile, stone column pile.

- **围堰：**最常见的是钢板桩围堰，振动锤在此类工程施工中具有施工效果好，可随时纠偏等特点，拔桩相比较于挖机锤要更为迅速，大大节约了施工时间，降低施工成本。

Cofferdam: the vibratory hammer use to drive sheet pile to build the coffer wall. It is high efficiency to drive and extract sheet piles.

- **栈桥工程及海上作业平台：**主要用于搭建桥梁、码头、港口等等涉水工程前期的一个施工通道或平台，振动锤在此过程中有着不可忽视的作用，用振动锤打桩搭建的栈桥以后拆除也非常便捷，如用其他设备施工完成的栈桥，不利于施工完毕后拆除，造成资源及经济的浪费。

Trestle work and offshore working platform: drive sheet pile or casing pile to build working passage and platform before build bridge, dork, port etc. it is easy to build and easy to remove.

- **海上风电单桩或群桩基础：**振动锤在海上风电基础工程施工中具有沉桩效率高，对环境影响小，及可随时纠偏的特点。

Wind mill single pile and group pile: it is efficient to use vibratory hammer drive casing pile into the sea, environment friendly and easy to adjust.





## Product types 产品类型 >>

### ■ 普通频率振动锤系列/NORMAL FREQUENCY VIBRATORY HAMMER:

标准频率系列振动锤是我公司生产的振动锤里最为主要的一种，它同时兼顾沉桩与拔桩，相比高频锤来讲，相对较大的偏心力矩使其在沉桩过程中具有优势，同时，相对低频率锤来讲，较高的频率使其在拔桩过程中有着较高的效率，适用于除岩层外的任何地质情况。

Normal frequency vibratory hammer is suitable to drive and extract piles. It suits for different geological situation except the hard rock layer.



### ■ 变频振动锤系列/FREQUENCY CHANGE VIBRATORY HAMMER:

变频振动锤是我公司的一大特色产品，采用变频器可以使振动锤实现真正的零电流启动，解决了振动锤带载启动的问题，对电源的要求也相对较其他固定频率的振动锤低一些。此外，由于各种土壤具有着不同的固有频率，频率的可调节性可以使振动锤在对应不同的地质情况下具有更高的沉拔桩效率；相对较低的电源容量即能满足要求，同时也节约了施工的周期，降低了直接成本。

FREQUENCY CHANGE VIBRATORY HAMMER: Zero current start mode, it solves the problem of load start, lower requirement for the power generator. Frequency change model could adjust frequency according to different soil layer frequency; it saves time energy and cost.



### ■ 低频振动锤系列/LOW FREQUENCY VIBRATORY HAMMER:

我公司生产的低频振动锤在沉桩时具有非常强大的优势，因为偏心力矩较大使其具有相对较大的振幅，沉桩效果更为明显，尤其对于一些不考虑拔起或拆除桩的施工工艺来讲，低频振动锤是您最好的选择。

LOW FREQUENCY VIBRATORY HAMMER: The low frequency vibratory hammer is best choice to drive piles in a stable and efficient path.



### ■ 高频减震胶系列/HIGH FREQUENCY ELASTOMER SERIES:

我公司生产的高频减震胶振动锤具有频率高的特点，可使饱和沙土的液化加速，土壤阻力相应地快速减小，能更有效地提高桩的运动加速度，从而使沉桩效果得以显著提高。更低的噪音与更好的减震效果，由于减震胶有着比弹簧更强的减震作用，能有效减少设备对装体以及周围建筑物的有害共振；减震胶对噪音的吸收能力较好，加上减震胶在机器工作时本身是无噪音的，从而大大减少了噪音污染。定矩可调，该系列产品可通过调节偏心力矩来改变激震力，可分别用于不同的砂土环境沉桩与拔桩，能适应各种土壤环境，为客户大大节约了设备成本。

HIGH FREQUENCY ELASTOMER SERIES: This type of vibratory hammer with the high frequency feature, it can accelerate liquefy soil, reduce soil resistance, high efficiency and noise reduction. This model also can adjust eccentric moment, which is good for the silty clay and soil geological condition.







振动锤是利用共振理论设计的。当桩的强迫振动频率与土壤颗粒的振动频率一致时，土壤颗粒产生共振，此时，土壤颗粒有最大的振幅，足够的振动速度和加速度能迅速破坏桩和土壤间的粘合力，使桩身与土壤从压紧状态过渡到瞬间分离状态，沉桩阻力尤其侧面阻力迅速减小，桩在自重作用下下沉。由于振动锤靠减小桩与土壤间的摩擦力达到沉桩的目的，所以在桩和土壤间的摩擦力减小的情况下，可以用稍大于桩和桩身的力即可将桩拔起。因此，振动锤发展迅速并广泛用于沉拔桩工程中。

Vibratory hammer is designed as per resonance theory. When the pile forcing vibratory frequency is consistent with the soil vibratory frequency, the soil will occur resonance phenomenon. Meanwhile, the largest amplitude, sufficient vibratory frequency and acceleration will break the cohesion between the soil and pile. In that case the pile will disintegrate from the soil in a short time. Pile-sinking resistance especially side resistance will be reduced very quickly. Then the pile sinks under the gravity. Depend on reducing the friction between the pile and the soil to sinking the pile. So it is effective to extract the pile only using a little more force than the pile self weight. As a result, the vibratory hammer develops rapidly and broadly used in pile-driving and pile-pulling construction.

**主要参数：振幅A、激振频率 $\omega$ 、偏心力矩M、激震力F、参振重量Q、功率N**

- 1、振动功率N的确定。振动功率N的计算公式为： $N=K \cdot M \cdot n / 9550$  (Nm) 公式中，n为转速；K=1.25。
- 2、偏心力矩M的确定。振动锤偏心力矩越大克服硬质土层的能力越强，当已知振幅和参振总重量Q（桩体重量和振动锤重量）时，可以算出偏心力矩： $M=Q \cdot A$  (N·m)
- 3、激振频率 $\omega$ 的确定。振动锤的激振频率与振动系统的固有频率密切相关，当激振频率接近振动系统的固有频率时，振动沉桩达到最大效果。而振动系统的固有频率不仅和振动锤参数有关，还与土壤的参数有关，不同地层土壤的自振频率有着很大的差别。下面表格是根据多年施工经验得到的不同地层振动锤最佳频率范围。  
**试验证明，其他参数一定的情况下，增大振动频率可以使得饱和沙土的液化加速，土壤阻力相应的快速减少，比起提高振幅更能有效提高桩的运动加速度，从而使沉桩效率得以显著提高，但激振频率提高过高会引起输出功率过大，所以确定激振频率时还应综合考虑。**
- 4、参振重量Q的确定。振动锤除了要有必要的振幅和加速度，还必须有一定的参振重量以克服沉桩时的阻力，桩在土中的静阻力R与土层的贯入标准值N和截面积S之间的关系为： $R=4N \cdot S$  (Kn) 因此，桩在受到振动而使摩擦力显著降低时，桩就可以被沉入到与参振重量相等的桩端阻力处，即  $Q=4N \cdot S$
- 5、激振力F的确定。激振力F是反映振动锤综合能力的参数，激振力F必须大于桩与土壤之间的静摩擦力f，在沉桩过程中会在激振力作用下急剧下降。有振动作用时桩与土壤之间的摩擦力用f'表示，则： $F \geq F' = \mu f$  (KN) 式中，M为振动作用时摩擦力的降低系数，主要受振动加速度大小的支配。试验表明，振动加速度超过10倍的重力加速度后， $\mu$ 的变化十分微小， $\mu$ 及f' 趋于定值。



## working principle

### 工作原理 >>

- 6、振幅A的确定。振幅越大，桩的沉入速度越大。当振幅很小时，桩不会下沉，只有振幅大于一定的值时，桩才可能下沉，这h个数值称为起始振幅A0,随着振幅加大，沉桩速度也加快，直到趋于一定的极限值Ac，所以振幅的范围是： $A_0 < A < A_c$ 。起始振幅A0可采用土壤的贯入标准值N，通过公式来计算： $A_0 \geq N/12.5 + 3$  (mm)

Parameters: amplitude A, frequency  $\omega$ , eccentric moment M, centrifugal force F, vibrating weight Q, vibrating power N

1. Figure out vibrating power N. The formula as follow:  $N = K \cdot M \cdot n / 9550$  In formula, n refers to the rotary speed;  $K = 1.25$
2. Figure out eccentric moment M: The greater the eccentric moment of the vibratory hammer, the stronger the ability to break through the hard soil layer. After amplitude and participant weight Q (pile weight and vibrating weight) are known, we could calculate the eccentric moment:  $M = Q \cdot A$  (N·m)
3. Figure out frequency  $\omega$ . The frequency of the vibratory hammer is closely related to the nature frequency of the vibratory system. When the frequency approaches the nature frequency of the vibratory system, the vibratory piling hammer will achieve the best pile driving effect. The nature frequency of the vibratory system is not only related to the parameters of the vibratory hammer but also the soil parameters. The natural vibration frequency of the soil varies in different soil layers. The below table illustrates the best frequency range of vibratory hammer applied with different soil layers after years of construction experience.

The experiments prove that we could accelerate the liquefaction of the saturated sand by increasing the amplitude and reduce the friction of the soil if other factors remain constant. So comparing with raising the amplitude, this way is more effective for pile-sinking. However, over increase of frequency will cause the overload of the output power. We need an overall consideration to determine the frequency.

4. Figure out participant weight Q. The vibratory hammer requires necessary amplitude, acceleration and participant weight to break through the resistance during pile driving. The static resistance R and the penetrate value N and section area S:  $R = 4N \cdot S$  (KN) Therefore, when the friction is greatly reduced due to the vibration, the pile will be driven to the position on which the resistance equals to the participant weight :  $Q = 4N \cdot S$
5. Figure out centrifugal force F. The centrifugal force F is the parameter which represents the comprehensive capacity of the vibratory hammer. The centrifugal force F must be larger than the static friction f between pile and the soil. The friction will be reduced greatly during the pile sinking under the centrifugal force  $f'$  refers the friction between the pile and soil when there is vibration:  $F \geq f' = \mu f$  (KN) In formula,  $\mu$  refers to the reduction coefficient of the friction under the vibratory force. The coefficient is determined by the acceleration. The experiments prove that when the vibratory acceleration is 10 times larger than the gravity acceleration,  $\mu$ 's change is very small,  $\mu$  and  $f'$  tend to be consistent.
6. Figure out amplitude A. The larger the amplitude is, the faster the pile sinks. The pile will not sink when the amplitude is very small. The pile will only sink when the amplitude reaches certain degree. The value at this point is called the start amplitude A0. With the increase of amplitude, the pile sinks faster until tend to limit value Ac. Therefore, the amplitude ranges:

#### 激振频率参考/Reference for centrifugal frequency

Soil layer 地层类型	Saturated sand 含饱和水的砂土	Plastic clay soil and sandy clay soil 塑性粘土及含砂粘土	Hard clay soil 坚实粘土	Gravel clay soil 含砾石粘土	sandy gravel soil 含砂的砾石土
Best frequency 最佳频率 $\omega/s$	100-200	90-100	70-75	60-70	50-60

#### 土壤的贯入标准值/Soil penetration standard value

土壤种类/Soil type	N值/N value	土壤种类/Soil type	N值/N value
很疏松的砂土/Very loose sandy soil	0-4	软粘土/Soft clay soil	2-4
疏松的砂土/Loose sandy soil	4-10	中等硬度的粘土/Medium-hardness clay soil	4-8
中等密度的砂土/Medium-density sandy soil	10-30	硬粘土/Hard clay soil	8-15
密实的砂土/Strong-density sandy soil	30-50	很硬的粘土/Very hard clay soil	15-30
很密实的砂土/Very strong-density sandy soil	> 50	非常硬的粘土/Extremely hard clay soil	> 30

## Technical data

### 主要技术参数 >>



DZ-45



DZ-60



DZ-90



DZJ-90

型号Model		单位Units	DZ-45	DZ-60	DZ-90	DZJ-90
电机功率Motor Power		KW	45	60	90	90
静偏心力矩Eccentric moment		NM	287	487	573	573
激振力Centrifugal force		KN	380	492	579	0-579
转速Frequency		RPM	1100	960	960	0-960
最大振幅Max Amplitude		MM	6.2	7.0	6.6	6.6
允许最大拔桩力Max Line Pull		KN	180	215	254	254
尺寸Size (L×W×H)	长(L)	M	1.65	1.75	1.85	1.85
	宽(W)	M	1.20	1.25	1.30	1.30
	高(H)	M	2.30	2.40	2.50	2.50
重量(不含夹具)Weight(without clamp)		Ton	3.80	4.50	5.70	5.70
匹配电缆线 Wire Cable		m <sup>2</sup>	35	35	50	50
可匹配夹具 Clamp		-	单夹具 Single	单夹具 Single	单/双夹具 Single/Double	单/双夹具 Single/Double
标配双夹具可夹幅度 Clamp Scope		MM	-	-	530-1500	530-1500
发电机组 Generator capacity		KW	150	200	300	250
吊车起吊能力 Min crane capacity		TON	25	35	50	50



## Technical data

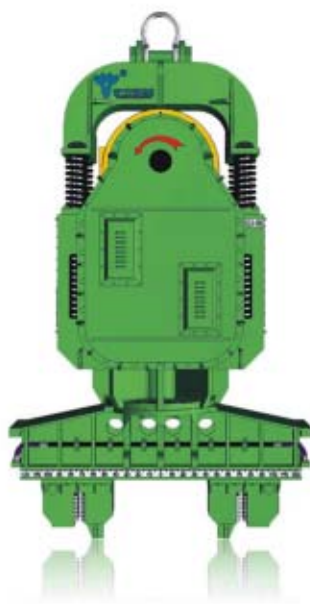
### 主要技术参数 >>



DZJ-120



DZJ-135



DZJ-150



DZJ-180

型号Model	单位Units	DZJ-120	DZJ-135	DZJ-150	DZJ-180	
电机功率Motor Power	KW	120	135	150	180	
静偏心力矩Eccentric moment	NM	750	806	1120	1240	
激振力Centrifugal force	KN	0-823	0-883	0-1140	0-1390	
转速Frequency	RPM	0-1000	0-1000	0-960	0-1000	
最大振幅Max Amplitude	MM	0-7.45	0-8.2	0-13.5	0-17.4	
允许最大拔桩力Max Line Pull	KN	392	420	450	530	
尺寸Size (L×W×H)	长(L)	M	2.10	2.10	2.20	2.25
	宽(W)	M	1.40	1.45	1.50	1.55
	高(H)	M	2.60	3.0	3.30	3.30
重量(不含夹具)Weight(without clamp)	Ton	7.00	7.20	8.70	11.00	
匹配电缆线 Wire Cable	m <sup>2</sup>	70	70	95	95	
可匹配夹具 Clamp	-	单/双夹具 Single/Double	单/双夹具 Single/Double	单/双夹具 Single/Double	单/双夹具 Single/Double	
标配双夹具可夹幅度 Clamp Scope	MM	600-2000	600-2000	600-2500	600-2500	
发电机组 Generator capacity	KW	300	300	350	400	
吊车起吊能力 Min crane capacity	TON	70	70	80	100	

## Technical data

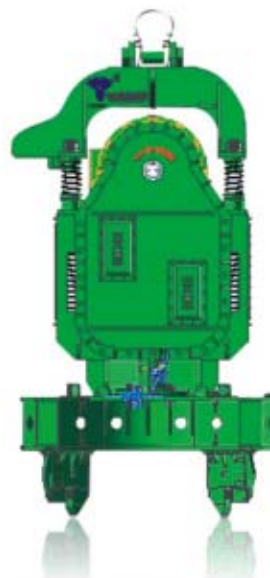
### 主要技术参数 >>



DZJ-200



DZJ-240



DZJ-300



DZJ-400

型号Model		单位Units	DZJ-200	DZJ-240	DZJ-300	DZJ-400
电机功率Motor Power		KW	200	240	300	400
静偏心力矩Eccentric moment		NM	2388	1804	2164	3180
激振力Centrifugal force		KN	0-1592	0-1822	0-2185	3250
转速Frequency		RPM	0-780	0-960	0-960	0-960
最大振幅Max Amplitude		MM	0-16.7	0-12.2	0-18.7	0-12.3
允许最大拔桩力Max Line Pull		KN	588	588	686	850
尺寸Size (L×W×H)	长(L)	M	2.20	2.00	2.20	2.3
	宽(W)	M	1.70	1.90	2.20	1.75
	高(H)	M	3.50	3.50	3.50	3.9
重量(不含夹具)Weight(without clamp)		Ton	11.50	14.50	15.00	22
匹配电缆线 Wire Cable		m <sup>2</sup>	120	120	150	120
可匹配夹具 Clamp		-	单/双/四夹具 Single/Double /Quaternion	单/双/四夹具 Single/Double /Quaternion	单/双/四夹具 Single/Double /Quaternion	双/四夹具 Double/Quaternion
标配双夹具可夹幅度 Clamp Scope		MM	600-3000	800-3000	800-3000	800-3000
发电机组 Generator capacity		KW	450	600	600	800
吊车起吊能力 Min crane capacity		TON	120	130	130	200



## Technical data

### 主要技术参数 >>



DZJ-480



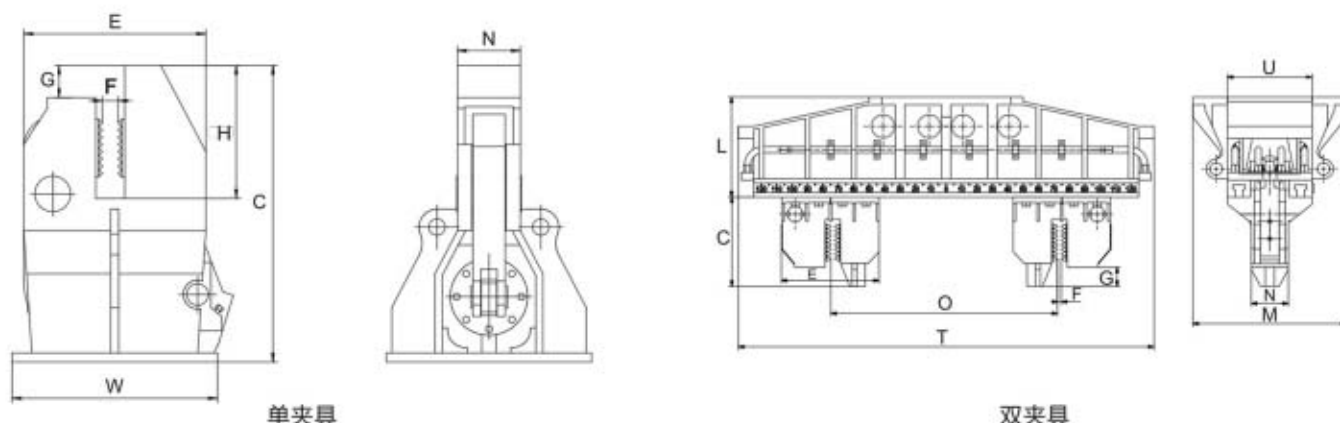
DZJ-600



X-90

型号Model	单位Units	DZJ-480	DZJ-600	X-90
电机功率Motor Power	KW	480	600	90
静偏心力矩Eccentric moment	NM	3608	4328	280/498
激振力Centrifugal force	KN	0-3644	0-4370	0-519/660
转速Frequency	RPM	0-960	0-960	0-1300/1100
最大振幅Max Amplitude	MM	0-33.5	0-33.5	0-5.0/5.7
允许最大拔桩力Max Line Pull	KN	1176	1352	254
尺寸Size (L×W×H)	长(L)	M	2.70	1.80
	宽(W)	M	2.70	3.00
	高(H)	M	3.50	3.50
重量(不含夹具)Weight(without clamp)	Ton	29.00	30.00	5.70
匹配电缆线 Wire Cable	m <sup>2</sup>	120	150	50
可匹配夹具 Clamp	-	四夹具 Quaternion	四夹具 Quaternion	单/双夹具 Single/Double
标配双夹具可夹幅度 Clamp Scope	MM	-	-	530-1500
发电机组 Generator capacity	KW	800	800	300
吊车起吊能力 Min crane capacity	TON	200	200	50

# Clamp 夹具 >>

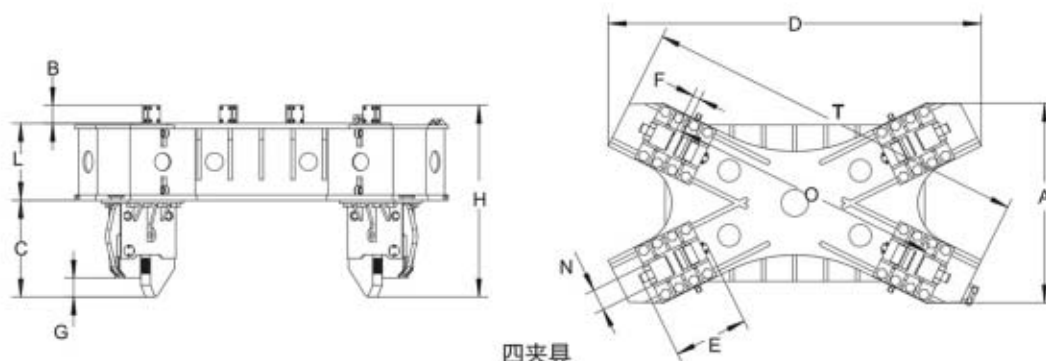


## 单夹具(标准夹具) SINGLE CLAMP(STANDARD)

型号 MODEL NO	夹持力 clamping force(KN)	C (mm)	N (mm)	E (mm)	F (mm)	G (mm)	H (mm)	M (Φ直径mm)	重量 (KG)	适用型号 Applicable mode	说明 Description
ZYJ-I45	450	904	190	600	40-0	145	395	540	500	15/30/40	可选配弧形夹板 Arc clamp plate optional
ZYJ-I75A	750	1100	190	670	50-0	180	450	540	600	45	
ZYJ-I75B	750	1100	190	670	50-0	180	460	650	600	60	
ZYJ-I85	850	1130	250	690	50-0	180	460	720	1100	90	
ZYJ-II130	1300	1375	250	790	50-0	180	535	780	1500	120/135	

## 双夹具(钢管夹具) DOUBLE CLAMP (CASING)

型号 MODEL NO	夹持力 clamping force(KN)	C (mm)	E (mm)	F (mm)	G (mm)	L (mm)	M (mm)	N (mm)	O (mm)	T (mm)	U (mm)	重量 (KG)	适用型号 Applicable mode
ZYJ-II480*2	480*2	620	620	48-0	150	625	800	250	600-2000	2500	550	3300	90/120
ZYJ-III1050	1050	740	720	50-0	180	650	800	250	600-2600	3100	550	3700	135/150
ZYJ-III1300*2	1300*2	920	750	55-0	270	750	1000	250	800-3000	3500	700	3820	180/200/240



## 四夹具 QUATERNION CLAMP

型号 MODEL NO	夹持力 clamping force(KN)	A (mm)	B (mm)	C (mm)	D (mm)	E (mm)	F (mm)	H (mm)	G (mm)	T (mm)	L (mm)	N (mm)	O (mm)	重量 (KG)	适用型号 Applicable mode
ZYG-IV	1300*4	2250	200	1370	4850	827	60-0	240	2655	5000	1085	250	最大1500-3500	15000	240/300/400



# Control cabin

## 控制柜 >>

永安机械振动锤综合启动控制柜/变频零启动调频控制柜参数

Integration control cabin/Frequency change zero current start control cabin



控制柜容量 Control cabin capacity	75 KW	90 KW	110 KW	132 KW	135 KW	185 KW	215 KW	250 KW	375 KW	415 KW	500 KW
适用振动锤型号 Applicable vibratory hammer model	DZ-45	DZ-60	DZ-90	DZJ-90	DZ-120	DZJ-120/ DZJ-135	DZJ-150/ DZJ-180	DZJ-200	DZJ-240	DZJ-300	DZJ-400
国内配置主要电气元件 Electric components for domestic market	均采用国内知名品牌 famous chinese brand										
出口配置主要电气元件 Electric components for oversea market	采用西门子、施耐德或日本三菱品牌 Simens, Schneider or Mitsubishi brand										
液压油泵 Hydraulic oil pump	均采用意大利进口品牌 Italian brand										
控制方式 Operate method	无线遥控/有线遥控 Wireless remote control or Wire remote control										
设备备用照明装置 Back up lighting equipment	客户自选 Optional										

## After-sales service 售后服务 >>

永安机械作为振动桩锤行业专业专家有着完善的租售服务系统，能方便快捷地为客户提供最优质的服务。

As vibratory hammer industry experts, Yong'an has its perfect sale&rental service system that can easily and quickly provide customers with best service.

### 服务业务主要包括/Our service mainly including

- 1、根据施工条件要求，提供设备型号的选择。
- 2、协助客户拟定首次施工方案。
- 3、提供新、特、难工程施工技术咨询或推荐合适的施工方案。
- 4、根据客户的特殊要求，设计制造产品。
- 5、设备安装调试。为客户培训设备日常操作保养人员。
- 6、定期到客户使用地点巡检设备使用状况。
- 7、保修期内送货上门。
- 8、72小时内到达任何指定现场。
- 9、重点工程的跟踪服务。
- 10、提供技术交流的机会。
- 11、开展振动桩锤系列产品大项维修。
- 12、可短期内提供多台设备完成客户应急要求。

- 1、Choose the right type of equipment for clients according the condition of construction.
- 2、Helping clients to prepare the plan for the first time construction.
- 3、Providing technology consulting for hard construction condition and recommend appropriate plan of construction.
- 4、Design and manufacture the right products according to customer's requirements.
- 5、Equipment installation,training operator for clients.
- 6、Patrol and inspection regularly.
- 7、Provide door to door service during the warranty period.
- 8、Reach any given site in 72 hours.
- 9、Tracking of key projects.
- 10、Provide opportunities for technical exchanges.
- 11、Maintenance the major items of equipment.
- 12、Can provide several equipment for client if urgent.

### 我们的承诺/We Commit

- 对客户来电两信息4小时内处理完毕答复；  
Deal with the customer's inquiries within 4 hours.
- 服务工程师24小时待命制；  
Service engineer 24 hours standby.
- 故障未处理完毕，服务工程师不能离开现场，离开现场需客户许可。  
The service engineer can't leave site until they solve the problem.



## Classic applications 经典应用案例 >>

DZJ-600



### 黄冈公铁长江大桥

设备型号：DZJ-600

使用数量：1台

使用单位：中铁大桥局 1台

地质情况：强风化和花岗岩层

施工情况：2500mm直径钢护筒。入土深度16米。

黄冈公铁长江大桥，是武黄城际铁路及黄鄂高速公路共用过江通道，其主垮567米，跨度布置为1215米（81+243+567+243+81），是目前已建和在建的世界上跨度最大的公铁两用斜拉桥。钢护筒直径为3.2米，桩长25米，采用套箱直接沉放，钢护筒加固作用方式。施工地质十分复杂，以岩层为主。

### 嘉绍跨海大桥

设备型号：DZJ-480

使用数量：4台

使用单位：中交二航局2台 中铁大桥局1台 中铁四局1台

地质情况：高强度沙土

施工情况：4000mm直径钢护筒。入土深度40米。

嘉绍跨海大桥主航道桥采用技术含量最高的6塔独柱斜拉桥方案（目前国内外修建的多塔斜拉桥多为3塔），这使主桥长度达2680米，分出5个主通航道，索塔数量、主桥长度规模位居世界第一；大桥采用双向八车道高速公路标准，主桥总宽度达55.6米（含布索区）。世界最大桥梁直径桩水中区引桥大量采用大直径钻孔桩（直径为3.8米，深达110米以上），单桩混凝土灌注量超过1300立方米，为目前世界上直径最大的单桩。同时取消桥墩上的承台。

DZJ-480





### 马鞍山长江公路大桥

设备型号：DZJ-400

使用数量：1台

使用单位：中交二航局 1台

地质情况：覆盖层为淤泥质粘土，地层为强分化岩层和弱风化岩层

施工情况：2500mm钢护筒。入土深度28米30米。

我公司400联动振动锤在马鞍山长江公路大桥MQ-03合同段投入使用。MQ-03合同段包括北边塔和跨堤引桥两个部分，北边塔基础采用54根 $\Phi$ 2.5米钻孔灌注桩，桩底标高-75.00米，桩长76.00米，桩底持力层为微风化砂岩，承台为弯切角的矩形，平面尺寸为69.6M $\times$ 32.1M，承台厚6M，塔身结构设计为门式结构，由（下、中、上）塔柱，下、上横梁及塔顶装饰组成，其中塔柱为钢筋混凝土结构，下横梁为预应力混凝土结构，上横梁为钢结构，塔高（从塔座下面起算），为175.8米。



DZJ-400

### DZJ-240



### 京沪高铁蚌埠淮河特大桥

设备型号：DZJ-240

使用数量：1台

使用单位：中铁十二局

地质情况：覆盖层为淤泥质粘土，地层为强分化岩层和弱风化岩层

施工情况：2500mm钢护筒。入土深度18米--22米。

淮河特大桥是京沪高铁全线工期控制的重点工程，全长85公里，跨越淮河、怀洪新河、浍河、沱河4条河流。其中，跨淮河的主桥是施工的重中之重。它长1050米，水中桥墩共有6个。

### 杭州湾跨海大桥

设备型号：DZJ-180

使用数量：4台

使用单位：中铁四局

地质情况：深层粘土

施工情况：1200MM、2300MM、2500MM直径钢护筒，入土深度为25米-28米

杭州湾跨海大桥按双向六车道高速公路设计，设计时速100km/h，设计使用年限100年，总投资约118亿元。大桥设南、北两个航道，其中北航道桥为主跨448m的钻石型双塔双索面钢箱梁斜拉桥，通航标准35000吨；南航道桥为主跨318m的A型单塔双索钢箱梁斜拉桥，通航标准3000吨。除南、北航道桥外其余引桥采用30-80m不等的预应力混凝土连续箱梁结构。大桥工程全长36公里，海上段长度达32公里，全桥总计混凝土245万立方，各类钢材82万吨，钢管桩5513根，钻孔桩3550根，承台1272个，墩身1428个。杭州湾跨海大桥是目前世界上已建或在建的最长的跨海大桥。大桥主体工程于2003年内顺利开工建设，2008年建成通车

### DZJ-180







DZJ-120

### 嘉绍跨海大桥

设备型号：DZJ-120

使用数量：11台

使用单位：中交二公局3台 中交二航局3台 中铁大桥局 4台 中交三航局2台 中铁四局1台

地质情况：粉质沙土

施工情况：820mm-1200mm直径钢管桩。入土深度为22米-26米。

嘉绍跨江公路通道总投资为139.8亿元，全线按8车道高速公路标准建设，计划于2012年建成通车。大桥北起沪杭甬高速和乍嘉苏高速交叉处的南湖枢纽，跨越钱塘江，至于杭甬高速和上三高速交叉处的沽渚枢纽，总长69.462公里。其中全长2680米的主航道桥部分，建成以后将是世界上最长最宽的多塔斜拉桥

### 青岛海湾大桥

设备型号：DZJ-90

使用数量：11台

使用单位：中交二公局 2台 中交三公局3台 中铁十四局 2台 中铁九局1台 中国路桥2台 青岛路桥 1台

地质情况：淤泥质粘土，淤泥质石灰岩层

施工情况：820mm直径钢管桩。入土深度为15米-23米

青岛海湾大桥，东起青岛主城区308国道杨家群入口处，跨越胶州湾海域，西至黄岛红石崖，（一期工程）路线全长新建里程28.047公里，（二期工程12公里）其中海上段长度25.171公里，青岛侧接线749米、黄岛侧接线827.021米、红岛连接线1.3公里。主线桥宽35米，双向六车道，设计行车速度80公里/小时。工程概算投资90.4亿元。



DZJ-90

DZ-60



### 厦门杏林跨海大桥

设备型号：DZ-60

使用数量：7台

使用单位：中交二公局 4台 中铁大桥局五公司3台

地质情况：淤泥质粘土

施工情况：630mm-820mm直径钢管桩。入土深度为15米-22米

杏林大桥，全长8.53千米。主桥长7.48米，跨海桥长5.034千米。于2006年3月份正式动工建设的杏林（公铁）大桥位于厦门市北部西海域，与厦门大桥相邻，它是福厦铁路的控制性工程，也是今后进出厦门岛连接大陆的第五条跨海公路通道。铁路部分北起福厦高速铁路，南至厦门北站，长5.22公里，福厦高速铁路、龙厦铁路、厦深铁路都将在这里交汇。



## Project achievements 工程业绩 >>

中铁大桥局九龙江大桥项目经理部  
中铁大桥局漳州南凌大桥及接线工程项目部  
中铁大桥局股份有限公司上江埠大桥及接线工程S02合同段项目部  
中铁大桥局股份有限公司象山港大桥及接线工程第7合同段项目经理部  
中铁大桥局股份有限公司淳安江埠大桥  
中铁大桥局股份有限公司柳州维义大桥项目部  
中铁大桥局武汉分公司合武铁路黄陂特大桥项目经理部  
中铁大桥局一公司桃花谷黄河大桥土建六标项目部  
中铁大桥局一公司津秦铁路客运专线项目部  
中铁大桥局一公司郑焦城际黄河大桥项目经理部  
中铁大桥局一公司神府高速公路第13合同段项目经理部  
中铁大桥局一公司宁波江北大桥项目经理部  
中铁大桥局二公司杭州铁路新桥项目经理部  
中铁大桥局二公司；辽宁省滨海公路辽河特大桥项目经理部  
中铁大桥局二公司富绥大桥B1项目部  
中铁大桥局二公司中俄乌苏大桥  
中铁大桥局二公司大连大长山岛长山大桥  
中铁大桥局二公司安庆长江大桥项目经理部  
中铁大桥局二公司福厦铁路乌龙江特大桥项目经理部  
中铁大桥局二公司温福铁路宁德特大桥项目经理部  
中铁大桥局二公司福州闽江特大桥项目经理部  
中铁大桥局二公司泉州湾跨海大桥项目经理部  
中铁大桥局二公司福州鼓山特大桥项目经理部  
中铁大桥局三公司温福铁路白马河特大桥项目经理部

中交联合体港珠澳项目人工岛工程项目部  
中交股份京沪高铁土建工程六标段项目经理部  
中交一航局南澳大桥项目经理部  
中交一航局南溪长江大桥项目部  
中交一航局五公司唐山曹妃甸项目经理部  
中交一航局三公司大连星海湾跨海大桥  
中交二航局二公司广州南沙开发区凤凰一桥项目经理部  
中交二航局深圳公司佛山市南庄至南樵山公路工程基础施工项目经理部  
中交二航局二公司广州轨道交通六号线2标白沙洲大桥项目经理部  
中交二航局深圳公司范和港大桥项目经理部  
中交二航局深圳公司广深沿江高速公路（深圳段）项目经理部  
中交二航局中朝鸭绿江界河大桥工程  
中交二航局哈尔滨阳明滩大桥  
中交二航局辽河大桥项目经理部  
中交二航局长沙湘江大桥项目经理部  
中交二航局湖南常德沅江西大桥项目部  
中交一航局中化泉州石化项目码头工程  
中交二航局厦门集美跨海大桥项目经理部  
中交二航局平潭跨海大桥项目经理部  
中交二航局永武高速项目部  
中交二航局四公司嘉绍跨江大桥工程项目经理部  
中交二航局建德市洋溪大桥工程项目部  
中交二航局二公司无锡太湖大道节点改造工程金鹰桥项目部  
中交二航局江苏LNG海水取水工程项目经理部  
中交二航局沪杭铁路专线项目部  
中交二航局二公司九堡大桥项目经理部  
中交二航局上海长江隧桥项目经理部  
中交二航局明州大桥工程项目经理部  
中交二航局南通明德重工船坞扩建一期桩基工程项目部  
中交二航局泉州湾跨海大桥项目经理部  
中交二航局魁岐大桥项目经理部  
中交二航局琅琦闽江大桥项目部  
中交二航局厦漳大桥项目部  
中交二航局九江长江大桥B2合同段项目经理部  
中交二航局南昌洪都大桥项目经理部  
中交二航局福州市三环路东北段B段道路V标项目部

中铁大桥局三公司番禺凤凰市政桥项目经理部  
中铁大桥局三公司广深沿江高速（深圳段）项目经理部  
中铁大桥局三公司南广铁路8标鼎湖特大桥项目部  
中铁大桥局三公司广州南沙凤凰三桥项目经理部  
中铁大桥局四公司哈大线海湾大桥项目经理部  
中铁大桥局四公司沈阳高坎大桥  
中铁大桥局四公司甬台温铁路楠溪江特大桥项目经理部  
中铁大桥局四公司嘉绍大桥V标项目经理部  
中铁大桥局四公司嘉绍大桥VII标项目经理部  
中铁大桥局四公司曹娥江铁路桥置换工程项目经理部  
中铁大桥局四公司大胜关长江大桥项目经理部  
中铁大桥局四公司铜陵长江大桥项目经理部  
中铁大桥局四公司宁芜线还建工程青戈江桥项目部  
中铁大桥局五公司厦门集美跨海大桥项目经理部  
中铁大桥局五公司厦门杏林公路跨海大桥项目经理部  
中铁大桥局五公司厦漳跨海大桥项目经理部  
中铁大桥局五公司南昌向莆铁路长江大桥项目经理部  
中铁大桥局五公司八里湖项目部  
中铁大桥局五公司黄冈公铁大桥第三项目部  
中铁大桥局五公司武汉天兴洲长江大桥项目经理部  
中铁大桥局五公司二七长江大桥二标段项目部  
中铁大桥局五公司沪昆客专长昆湖南段项目经理部一分区  
中铁大桥局五公司甌江特大桥项目经理部  
中铁大桥局六公司武汉二七长江大桥

中交二航局莆田LNG电厂海中铁塔基础项目部  
中交三航局江西德昌高速D6合同段项目部  
中交三航局南通中远川崎船厂船坞扩建一期项目经理部  
中交三航奔腾有限公司上海长兴岛沪东船厂项目部  
中交三航局洋山港二期项目经理部  
中交三航局江都造船基地一期桩基工程项目经理部  
中交三航局上海船厂船坞扩建基础工程项目经理部  
中交三航局温州灵昆岛港口项目经理部  
中交四航局宁德核电项目经理部  
中交四航局泉州斗尾港项目经理部  
中交四航局珠海新澳门大学项目经理部  
中交一公局中朝鸭绿江界河大桥工程  
中交二公局牡丹江西十一条路跨江大桥项目经理部  
中交二公局大连星海湾跨海大桥  
中交二航局二公司九堡大桥项目经理部  
中交二航局上海长江隧桥项目经理部  
中交二航局明州大桥项目经理部  
中交二航局南通明德重工船坞扩建一期桩基工程项目部  
中交二航局泉州湾跨海大桥项目经理部  
中交二航局魁岐大桥项目经理部  
中交二航局琅琦闽江大桥项目部  
中交二航局厦漳大桥项目部  
中交二航局九江长江大桥B2合同段项目经理部  
中交二航局南昌洪都大桥项目经理部  
中交二航局福州市三环路东北段B段道路V标项目部  
中交二航局莆田LNG电厂海中铁塔基础项目部  
中交三航局江西德昌高速D6合同段项目部  
中交三航局南通中远川崎船厂船坞扩建一期项目经理部  
中交三航奔腾有限公司上海长兴岛沪东船厂项目部  
中交三航局洋山港二期项目经理部  
中交三航局江都造船基地一期桩基工程项目经理部  
中交三航局上海船厂船坞扩建基础工程项目经理部  
中交三航局温州灵昆岛港口项目经理部  
中交四航局宁德核电项目经理部  
中交四航局泉州斗尾港项目经理部  
中交四航局珠海新澳门大学项目经理部



## Project achievements 工程业绩 >>

中交一公局中朝鸭绿江界河大桥工程  
中交二公局牡丹江西十一条路跨江大桥项目经理部  
中交二公局大连星海湾跨海大桥  
中交一公局拉萨纳金大桥项目经理部  
中交一公局沪昆客专湖南段第五项目经理部  
中交一公局宁波甬江大桥项目经理部  
中交一公局椒江二桥项目部  
中交一公局诸永高速瓯江过江通道  
中交一公局宁波绕城高速公路东段第九合同项目部  
中交二公局杭州钱江九桥项目经理部  
中交二公局杭新景高速公路延伸线（之江大桥）工程第一项目经理部  
中交二公局五公司广深沿江高速公路项目经理部  
中交二公局瑞安飞云江五桥项目经理部  
中交二公局绍兴滨海大桥项目经理部  
中交二公局厦门杏林公路大桥项目经理部  
中交二公局泉州湾跨海大桥项目经理部  
中交二公局泰州长江公路大桥项目经理部  
中交二公局南京长江四桥项目经理部  
中交二公局青岛海湾大桥项目经理部  
中交三公局青岛海湾大桥项目经理部  
中交四公局京沪高铁苏州特大项目经理部  
路桥建设南昌洪都大桥项目经理部  
路桥建设北方路桥文登长合口大桥项目经理部  
路桥建设京沪高铁昆山特大项目经理部  
路桥建设甬台温铁路甬北特大项目经理部

中铁十三局曹娥江拓宽改造工程项目经理部  
中铁十三局吉林松原江宁松花江特大桥  
中铁十四局厦门集美跨海大桥项目经理部  
中铁十四局青岛海湾大桥项目经理部  
中铁十四局京沪高铁固镇特大项目经理部  
中铁十四局天津塘沽开启桥项目经理部  
中铁十四局广深港客运专线鱼窝头项目经理部  
中铁十五局岳常高速土建24合同段  
中铁十五局汉江二桥项目部  
中铁十五局汉江二桥项目部  
中铁十七局厦门同安湾跨海大桥项目经理部  
中铁十七局厦深铁路项目经理部  
中铁十七局向莆铁路南昌向塘铁路大桥项目经理部  
中铁十七局杭甬客运专线  
中铁十七局集团宁杭铁路客运专线第二项目经理部  
中铁十七局广深港专线虎门特大项目经理部  
中铁十九局兰渝工程项目部  
中铁十九局包头黄河大桥项目经理部  
中铁十九局大连星海湾跨海大桥  
中铁十九局杭州湾跨海大桥项目经理部  
中铁二十二局哈齐高铁扩建工程  
中铁二十二局可门港铁路支线工程项目经理部  
中铁二十二局武广线广州新客站项目经理部  
中铁二十二局三公司同门港铁路支线工程项目经理部  
中铁二十三局一公司九江长江公路大桥项目经理部  
中铁二十四局吉莲高速公路A5标项目经理部

中铁一局福州湾边大桥项目经理部  
中铁二局厦深铁路工程指挥部第一项目经理部  
中铁二局京福铁路专线闽赣八标项目经理部  
中铁三局福州连江特大项目经理部  
中铁四局武广线花都特大项目经理部  
中铁四局阜阳站改造工程项目经理部  
中铁四局向莆铁路项目部  
中铁四局杭州湾跨海大桥慈溪段项目经理部  
中铁四局甬台温铁路清江特大项目经理部  
中铁四局甬台温铁路雁荡山特大项目经理部  
中铁四局绍嘉跨海通道项目经理部  
中铁五局四公司杭甬铁路客专支线  
中铁五局杭长铁路客运专线浙江段项目经理部  
中铁五局哈大客运专线大石桥项目经理部  
中铁五局哈大铁路项目部  
中铁五局第三工程有限公司江西赣崇高速公路  
中铁六局温福铁路白云特大项目经理部  
中铁七局厦成高速公路漳州段A6合同段项目经理部  
中铁八局中山立交项目经理部  
中铁九局青岛海湾大桥项目经理部  
中铁十局甬台温铁路温州段乌牛项目经理部  
中铁十局甬台温铁路温州段乌牛项目经理部  
中铁十一局京福铁路客专闽赣2标项目部  
中铁十二局京沪高铁蚌埠淮河特大项目经理部  
中铁十三局第一工程有限公司南平闽江大桥项目部

路桥华东宁波金塘大桥项目经理部  
路桥华东甬台温高速温州段飞云江特大桥  
路桥华南钱江九桥项目经理部  
路桥华南上海长江隧桥项目经理部  
路桥华南厦门集美跨海大桥项目经理部  
路桥华南工程有限公司德昌高速公路D7合同段项目经理部  
四川路桥甬台温铁路诸永高速项目经理部  
四川路桥宁波外滩大桥项目经理部  
四川路桥温州乐清湾跨海大桥项目经理部  
四川路桥泉州湾跨海大桥项目经理部  
龙建路桥第五工程有限公司哈尔滨松浦大桥  
龙建路桥第五工程有限公司齐齐哈尔嫩江大桥  
龙建路桥第一工程有限公司松浦大桥项目经理部  
龙建路桥股份有限公司齐秦公路建设项目  
广西路桥绍兴市曹娥江袍江大桥项目经理部  
广西路桥赣州飞龙岛特大项目经理部  
沈阳市政工程第五工程有限公司沈阳动漫桥  
中国路桥青岛海湾大桥八标项目经理部  
中国路桥工程有限公司南广铁路NG20-1标段项目部



### 福建新永安机械有限公司

FUJIAN NEW YONGAN MACHINERY CO., LTD.

地址：福建省福鼎市贯岭工业区

电话：86-593-7260222 传真：86-593-7260222

邮箱：sales@yonganvibro.com 网址：www.yonganvibro.com

Add: Guanling Industrial Zone, Fuding City, Fujian, China

TEL:86-593-7260222 FAX:86-593-7260222

E-mail:sales@yonganvibro.com website:www.yonganvibro.com

### 瑞安市永安机械有限公司

Ruian Yongan Machinery Co.,ltd.

地址：瑞安市塘下镇海阳工业区青岙山头88号

电话：086-577-65278666 086-577-65271769 传真：086-577-6527176

Add: Qingao88#,haiyang industrial zone, tangxia town,ruian city

TEL:086-577-65278666 086-577-65271769 FAX:086-577-65271769

### 上海永安机械设备有限公司

SHANGHAI YONGAN MACHINERY CO., LTD.

地址：上海市闸北区南山路100号139室

电话：+86 21 33197093 传真：+86 21 33250313

Add: Rm139, No.100 Nanshan Road, Shanghai, 200070, China.

TEL: 86 21 33197093 FAX: 86 21 33250313

### 广州办事处

Guangzhou office

地址：广东中山市黄圃镇新沙村安庆街72号

电话：4008-269187

Add: No. 72,Anqing road,Xingsha village,Huangpu town,Zhongshan,Guangdong China

Tel:4008-269187

### 哈尔滨办事处

Harbin office

地址：哈尔滨平房区保国大街东安名苑

电话：4008-269187

Add: Dongan Garden, Baoguo road, Pingfang district, Harbin, China

Tel:4008-269187

### 武汉办事处

Wuhan office

地址：湖北武汉市洪山区友谊大道318号梦湖水岸14栋

电话：4008-269187

Add: Building 14, Dream Lake Community, Youyi road, Hongshan district, Wuhan, Hubei China

Tel:4008-269187